

EZYTAP75 & EZYTAP7800

Elegant, Reliable, Under Counter Boiler For
Hot & Ambient Water Or Hot & Chilled Water



EZYTAP75 EZYTAP7800

EZYTAP75/7800 Have A
Dispensing Height Of 18.5cm



EZYTAP75T EZYTAP7800T

EZYTAP75T/7800T- Have A
Dispensing Height Of 24cm



Features

The EZYTAP75/75T is a powerful undercounter hot water boiler which dispenses 14ltr/hour of 95°C hot water. It also dispenses copious amounts of un-chilled water.

The EZYTAP7800/7800T combines the powerful undercounter boiler with an undercounter chiller which dispenses 11.5ltr/hour of chilled water between 6 – 10°C. The Chilled water displaces the un-chilled water dispensed from the tap.

The EZYTAP is available with two different taps, that have different dispensing heights. The EZYTAP75/7800 has a dispensing height of 18.5cm. The EZYTAP75T/7800T has a dispensing height of 24cm.

Unique boiler scale protection in hard water areas.

The South and Central areas of England are known for high levels of scale – the enemy of boilers! Unlike other tap boilers the EZYTAP has two separate mains water connections. One for the boiler and the other for the ambient supply or the chilling unit. In hard water areas the boiler can be connected to a proper **Scale Removal Filter** and the ambient or chilling to a cheaper carbon filter. This arrangement extends the life of the **Scale Removal Filter** significantly. In a soft water area, both the boiler and chiller can be connected to a joint single carbon filter.

Attention: only proper scale removal filters will protect a boiler from scale and eliminate the need for constant descaling.



refreshingly different

EZYTAP75 & EZYTAP7800

Elegant, Reliable, Under Counter Boiler For Hot & Ambient Water Or Hot & Chilled Water

Specifications and performance

Model	Dispensing Height	Hourly output			Dimensions (mm)	Temp
		Hot	Ambient	Chilled		
EZYTAP75	18.5cm	14ltr	indefinite	n/a	329h, 220w, 352d	95°C max
EZYTAP75T	24cm	14ltr	indefinite	n/a	329h, 220w, 352d	95°C max
EZYTAP7800	18.5cm	14ltr	n/a	11.5ltr	Boiler 329h, 220w, 352d Chiller 300h, 410w, 300d	95°C max 6 – 10°C
EZYTAP7800T	24cm	14ltr	n/a	11.5ltr	Boiler 329h, 220w, 352d Chiller 300h, 410w, 300d	95°C max 6 – 10°C

EZYTAP75
EZYTAP7800

EZYTAP75T
EZYTAP7800T

Description

Tap

- Chrome faucet with electronic controls
- Touch control dispensing taps
- Flashing indicator light when heating
- Hot water safety tap
- Dispensing height: EZYTAP75/7800 - 18.5cm
EZYTAP75T/7800T - 24cm



Under sink Boiler and Chiller unit

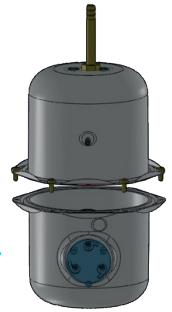
- The EZYTAP Boiler is an atmospheric boiler with a powerful 2KW SUS316 ring type heating element. The boiler can be easily accessed for descaling or maintenance
- The EZYTAP75/75T dispenses 14ltr/hour of 95°C hot water and copious amounts of un-chilled water
- The EZYTAP7800/T dispenses hot and chilled water. It includes our UC800M Undersink Chiller, which provides 11.5ltr/hour of chilled water between 6 – 10°C
- The UC800M Undersink Chiller is a compressor chilled cooler with a static fan assisted condenser
- It is recommended that the EZYTAP Boiler and the UC800M chiller units are installed with 5cm ventilation space all round, to avoid over-heating

Drip Tray

- EZYTRAY2: Drip tray connects to the EZYTAP column

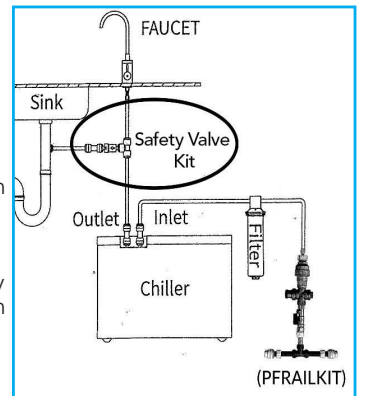
Scale protection

- The two separate mains water inlets allow for the installation of a scale removal filter on the boiler inlet and a much more cost-effective taste, odour and turbidity carbon block filter on the ambient/chilled side
- Scale removal filters are expensive and since their effective 'life' is measured in litres of water passing through it, it is important to use it only on the boiler side
- Soft water areas only require a single carbon filter connected to a combined boiler and ambient/chilled inlet
- The EZYTAP boiler can be opened for descaling and servicing.



Venting Pressure from the UC800M Chiller

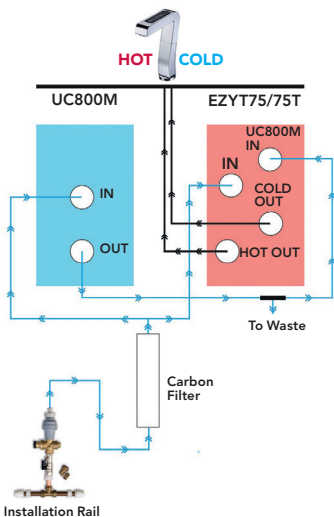
- Ice can build up in the UC800M Undersink Chiller. This will result in an increase of pressure in the sealed chilling system which can lead to a failure of fittings and pipework which would result in a leak. It is therefore strongly recommended that the Safety Valve Kit, which comes with the UC800M, is installed. It vents any pressure building up into a sink drain or a waste container.



EZYTAP installation diagrams

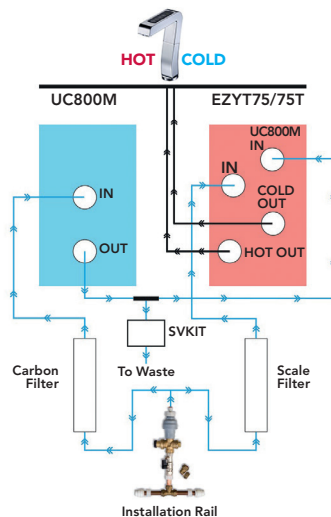
EZYTAP7800/7800T in soft water area

Single carbon block filter for the boiler and the chiller side.



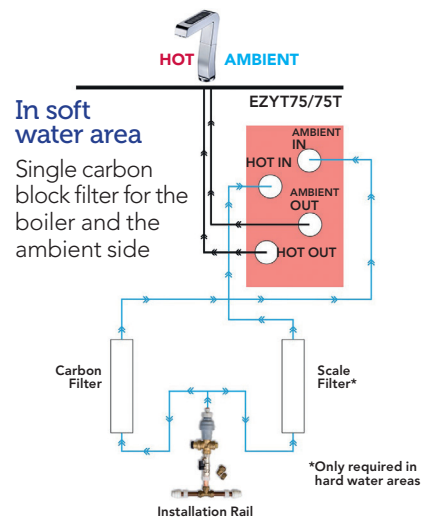
EZYTAP7800/7800T in hard water area

Scale removal filter for the boiler and a carbon block for the chiller side.



EZYTAP75/75T in hard water area

Scale removal filter for the boiler and a carbon block for the ambient side.



In soft water area

Single carbon block filter for the boiler and the ambient side

*Only required in hard water areas

AA FIRST
WATER COOLERS
& BOILERS

www.aafirst.co.uk